

INSTALLATION INSTRUCTIONS

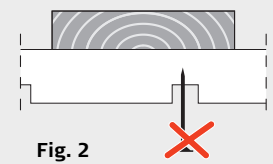
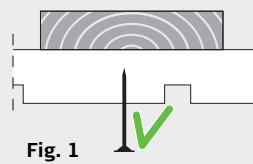
for Troldekt® rhomb/rhomb hatch, installed with screws

These instructions apply to the installation of Troldekt® rhomb/rhomb hatch with screws on wood battens or steel profile system. If you install Troldekt® on wood battens, the battens should be min. 22 x 120 mm. If you are installing the panels on steel profiles, use two parallel installation profiles per 600 mm. You can download installation instructions for wood battens and steel profile systems from www.troldekt.com

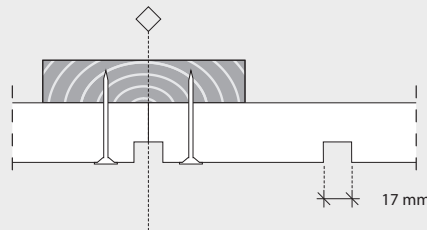
INSTALLATION (PLEASE READ THE FULL INSTRUCTIONS BEFORE STARTING WORK)

Fix the panels using Troldekt screws spaced 25/20 mm from the edges – as shown in the illustrations below: 25 mm for wood battens, 20 mm for C60 steel profiles. Be careful not to overdrive the screws and so cause an indentation in the panel.

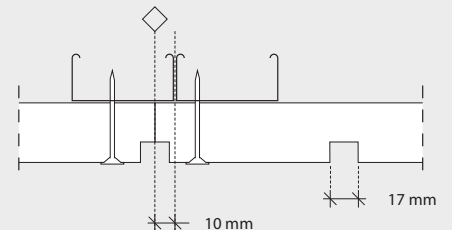
The screws should be screwed into the main surface of the panel (**Fig. 1**) – not into the bottom of the grooves (**Fig. 2**).



PROFILE DRAWING



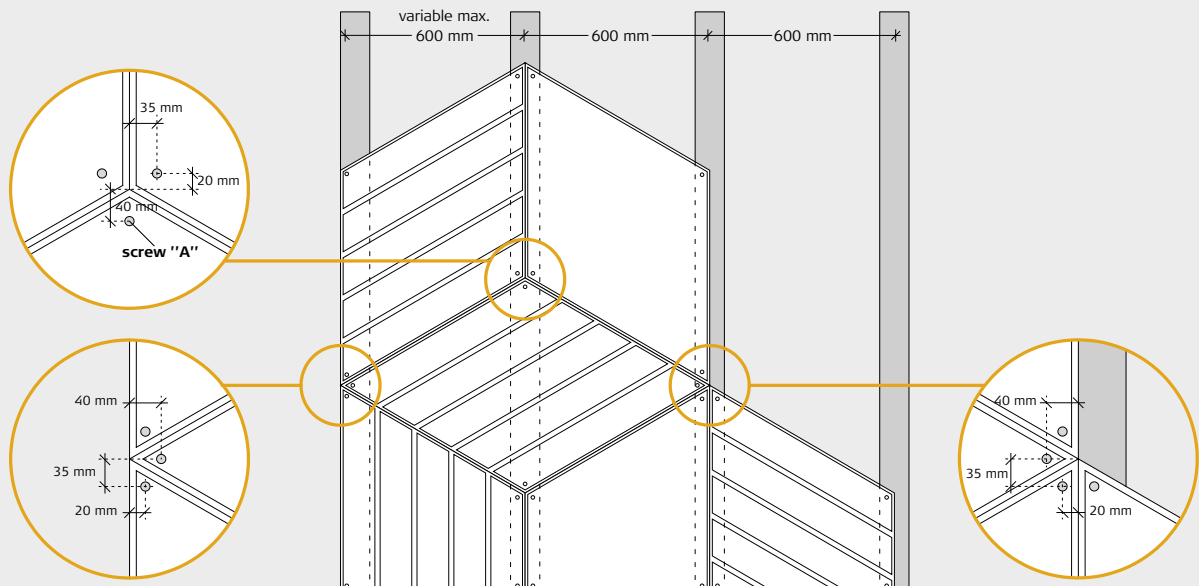
Installation on 120 mm wood battens



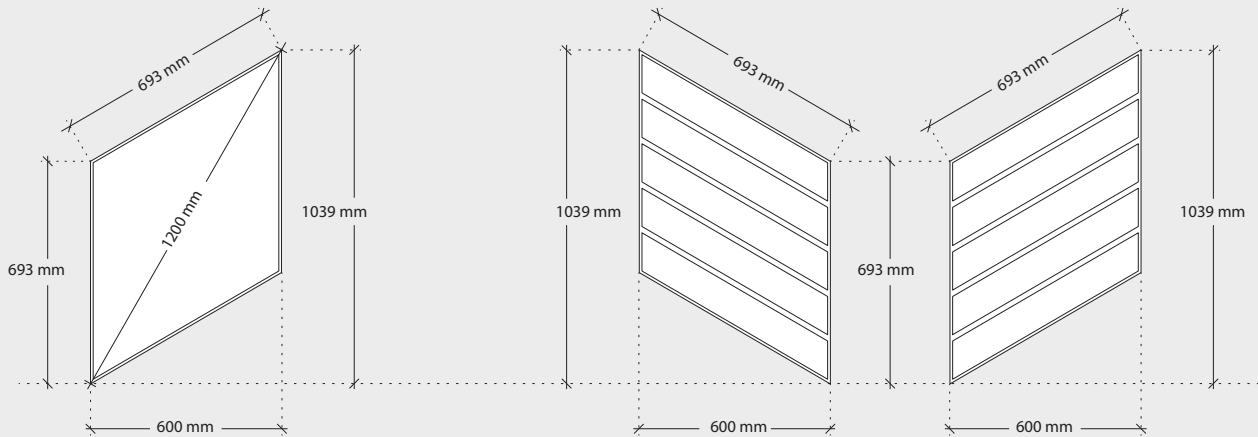
Installation on C60 steel profiles

Use two profiles per 600 mm. Stagger the profiles 10 mm in relation to the panel joints, so that the centre-placed screw 'A' is not screwed into the gap between the C60 profiles (see illustration below).

ILLUSTRATION - INSTALLATION



PANEL TYPES



Troldtekt® rhomb

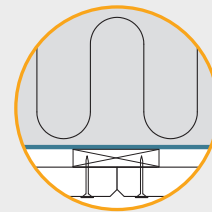
Troldtekt® rhomb hatch left

Troldtekt® rhomb hatch right

VAPOUR BARRIER

If you need to install a vapour barrier, we recommend using polyethylene plastic sheeting. The vapour barrier must be placed above the wood battens, i.e. between the battens and the foot of the rafters. Install the vapour barrier so it is well-stretched and sits tightly against the insulation.

Please refer to the manufacturer's instructions.



TROLDTEKT® SCREWS

Panel thickness (mm)	Panel length (mm)	Screw dimension (mm)	No. of screws (per panel)	Max. span (mm)
35	1039	4.2 x 55	4	600

Troldtekt structure screw for wood and steel

