

Installation guide for Cloud and Square

1. Scope of delivery

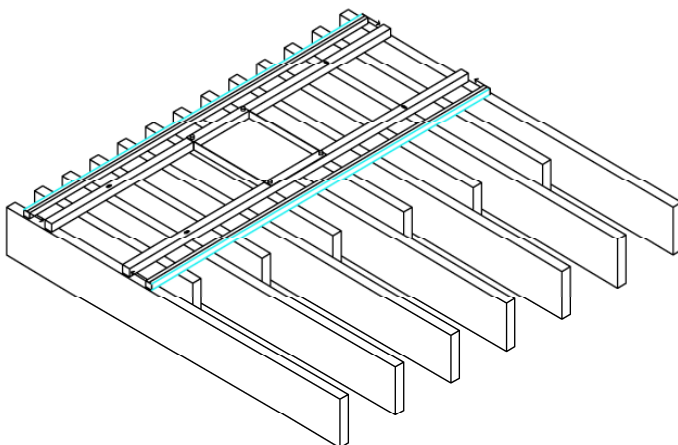
1.1 Baffle tile package and ceiling construction

- 13 pcs. of baffles
- Sub construction
- 4 pcs. of distance tubes white (for direct mounting)
- 4 pcs. of connecting tubes (for suspended mounting)
- 4 pcs. of lamellar pugs for square tubes
- 4 pcs. of cylinder head bolts M6x15mm
- 26 pcs. of cylinder head bolts M6x20mm
- 26 pcs. of plugs for key hole drilling

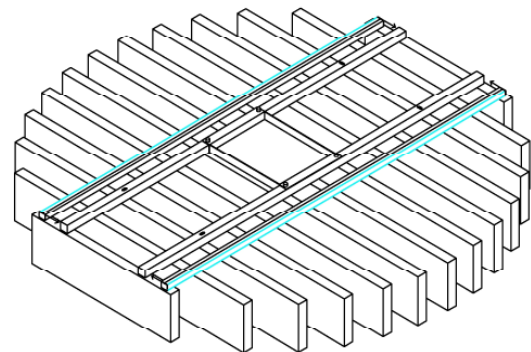
1.2 LED lighting package (optional)

- 2 pcs. of LED light bars incl. cables
- 4 pcs. of mounting clips
- 1 pc. of power transformer

Tip: LED lighting package should be installed before installation of baffle tiles.

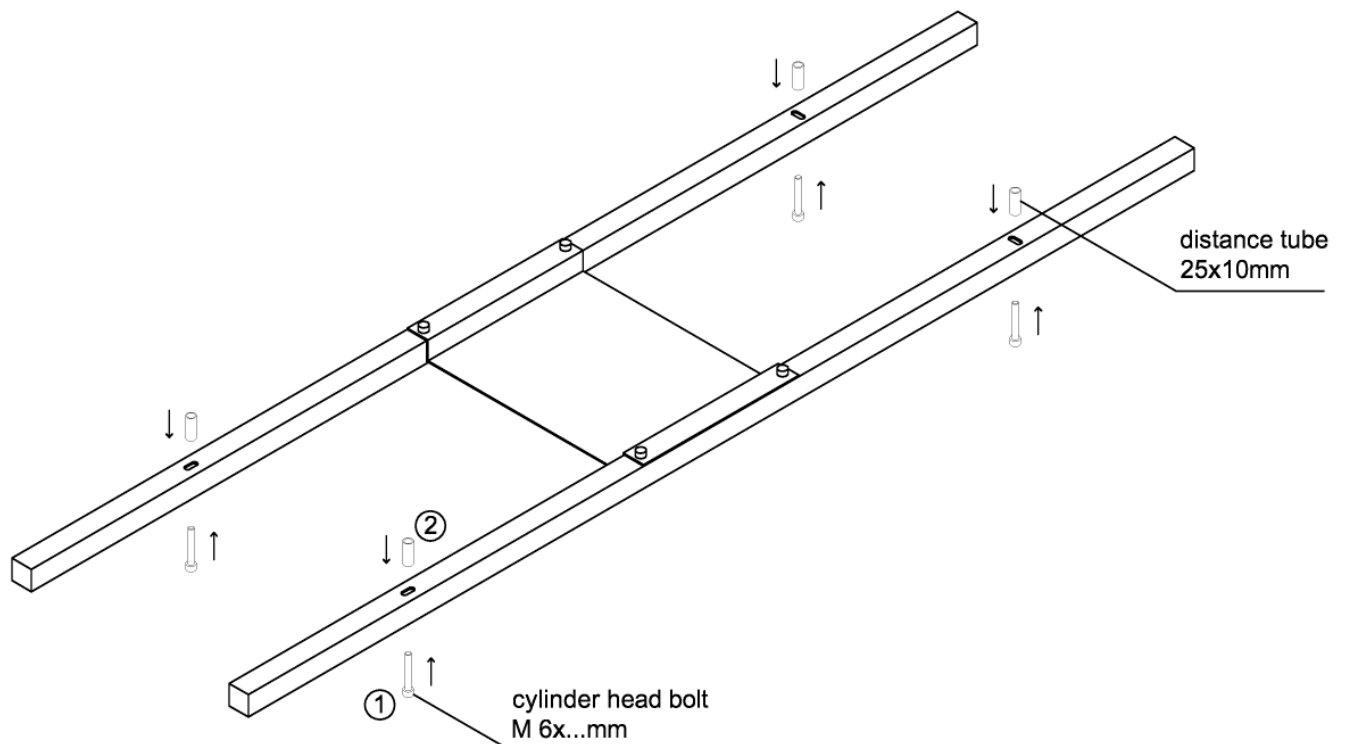


Square



Cloud

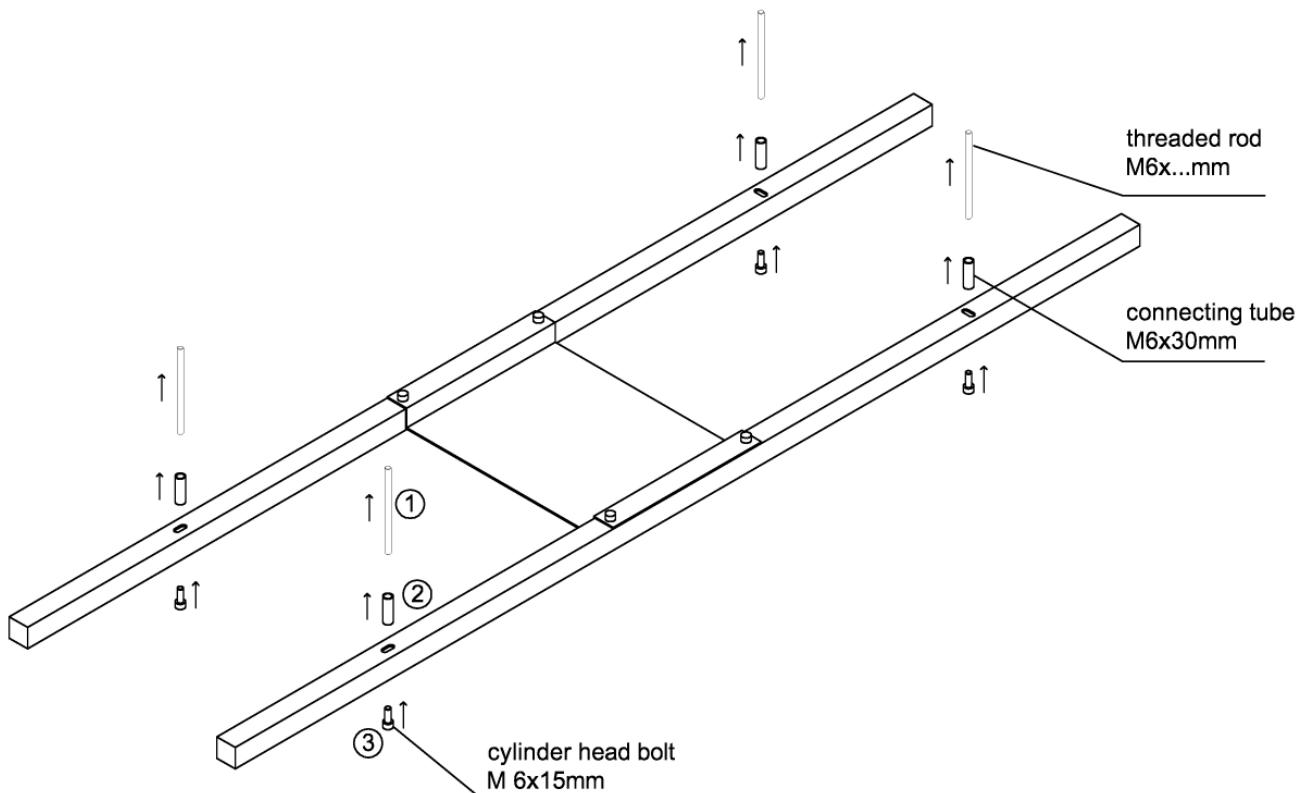
2. Direct installation of the sub construction



1. Insert the cylinder head bolt from below through the key hole drilling (length of the bolt depends on the fixing material).
2. Stick the distance tube on the screw shaft.
3. Screw the bolt into the anchor.

Only generally approved fixing materials have to be provided directly on site by the contractor!

3. Suspended installation of the sub construction

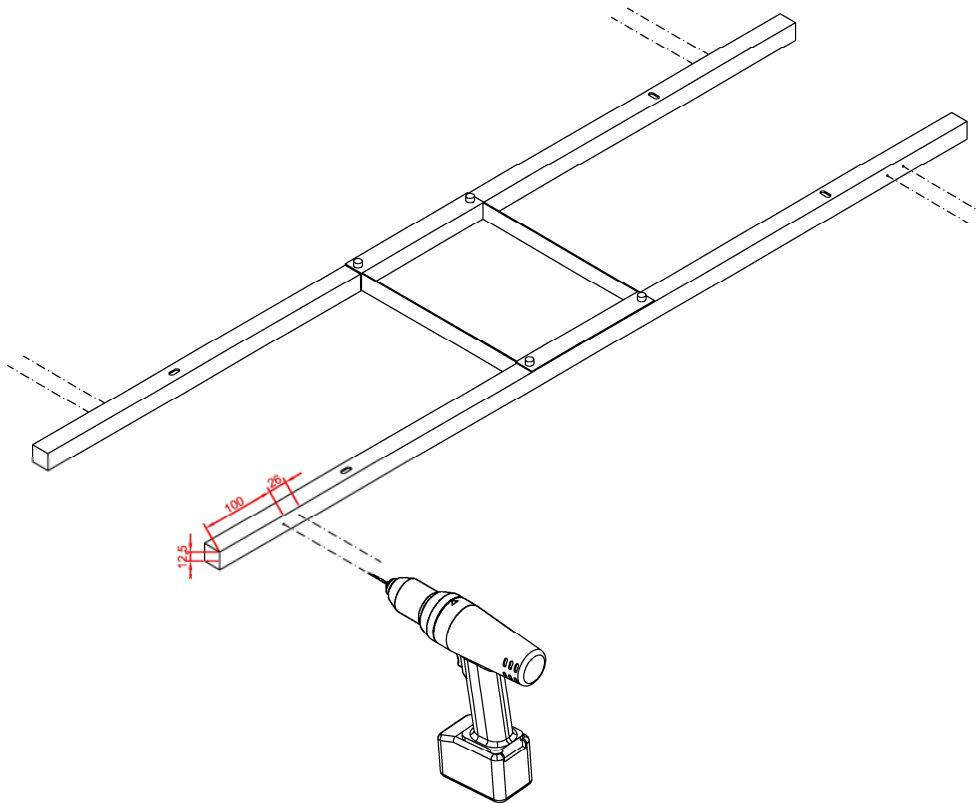


1. Insert the threaded rod into the fixing material.
2. The connecting tube has to be screwed up to the middle of the threaded rod.
3. Insert the cylinder head bolt from below through the key hole drilling and screw it into the connecting tube.

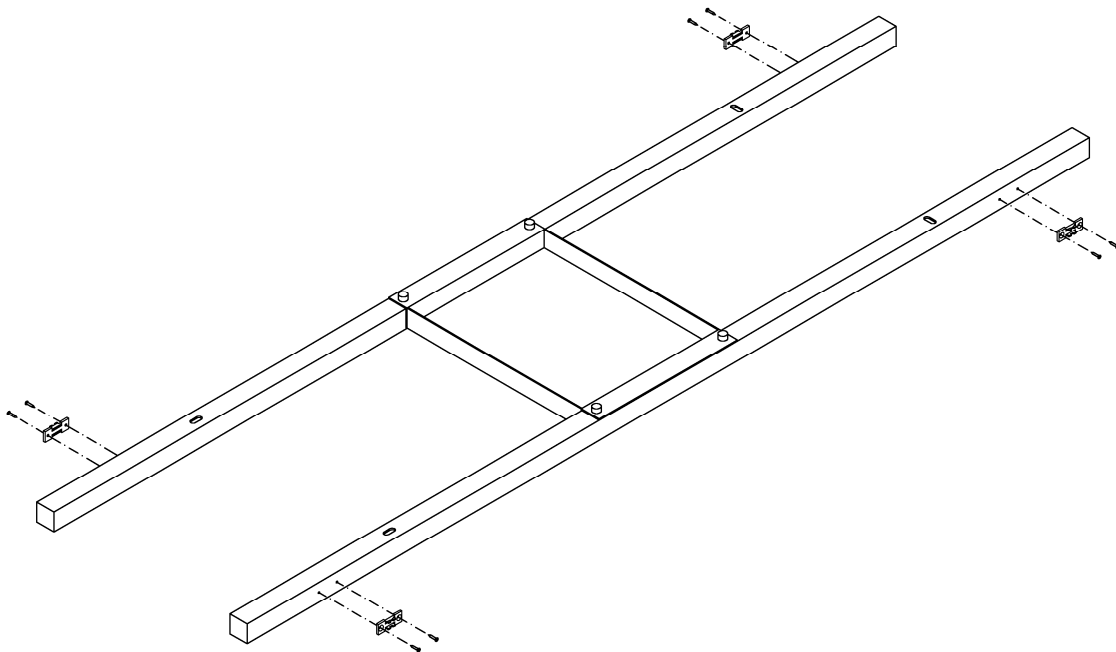
Only generally approved fixing materials and threaded rods have to be provided directly on site by the contractor!

Important information: Suspension height for Square max. 200 mm. All the rest of them have to be suspended with an additional, nonspillable subconstruction.

4. Installation of the LED lighting package (optional)

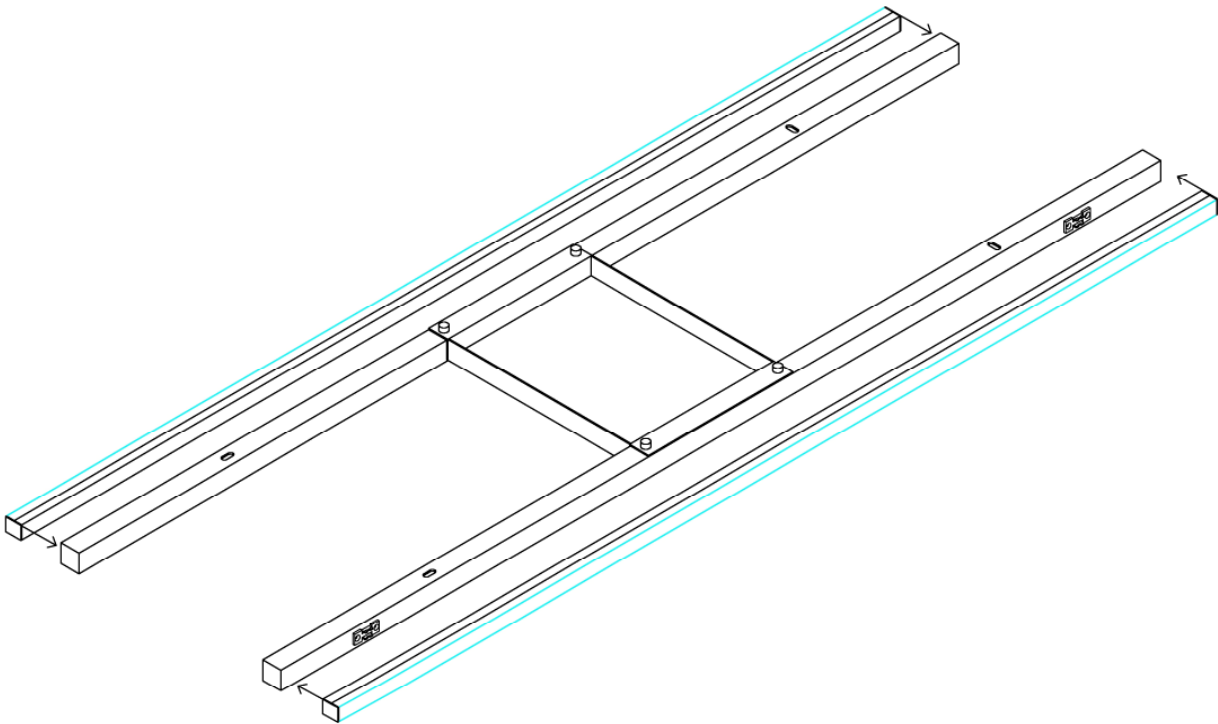


1. Mark the holes for the mounting clip on the ceiling construction and drill it.



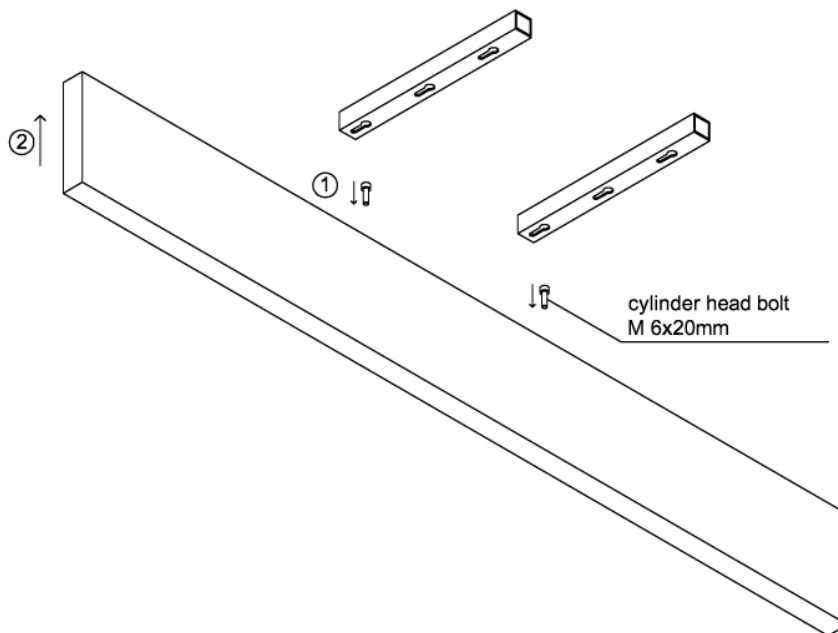
2. Fix the mounting clip at the ceiling construction by using the provided screws.

4. Installation of the LED lighting package (optional)

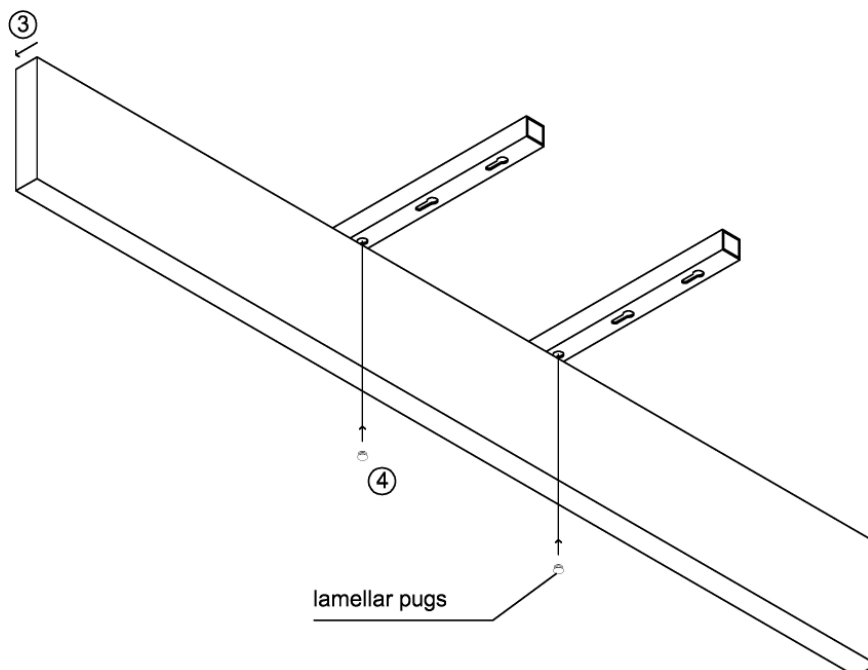


3. Fix the LED bars with their lower notch on the mounting clips and connect them. Connection of cables with the power transformer and electrical power supply must be done by an electrically skilled person. Put cable and power transformer on connector bar. Cable for connection to electrical power supply isn't included in LED lighting package.

5. Installation of the baffle tiles



1. Leave 2 mm free when you screw the cylinder head bolt into the screw socket. The baffle tiles must be directly under the sub construction without any space.
2. Insert the baffle tile including the screw heads into the key hole drillings.



3. Move the screws into the slots of the key hole drillings by pushing the baffle tile.
4. Insert the plugs into the visible part of the key hole drillings.